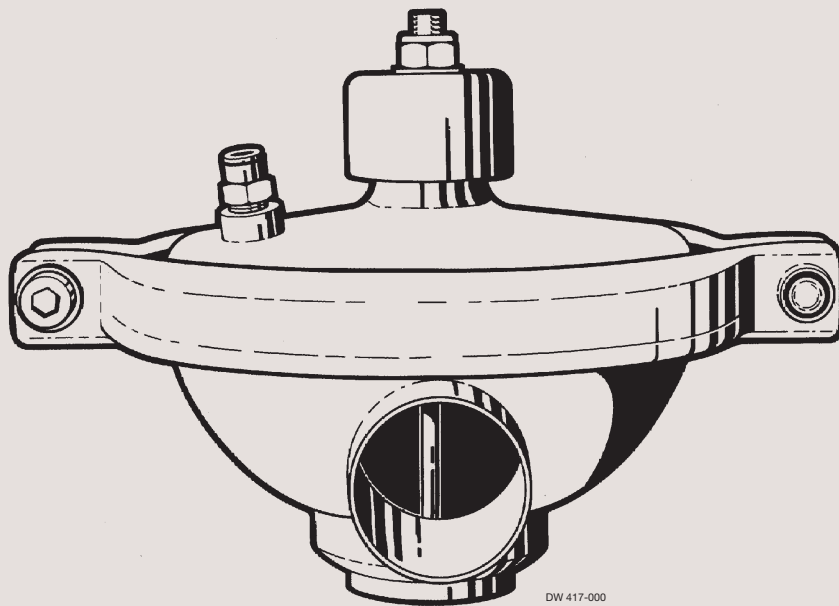




Spare Parts

Constant Pressure Valve CPMI-2 and CPMO-2 (Polished)

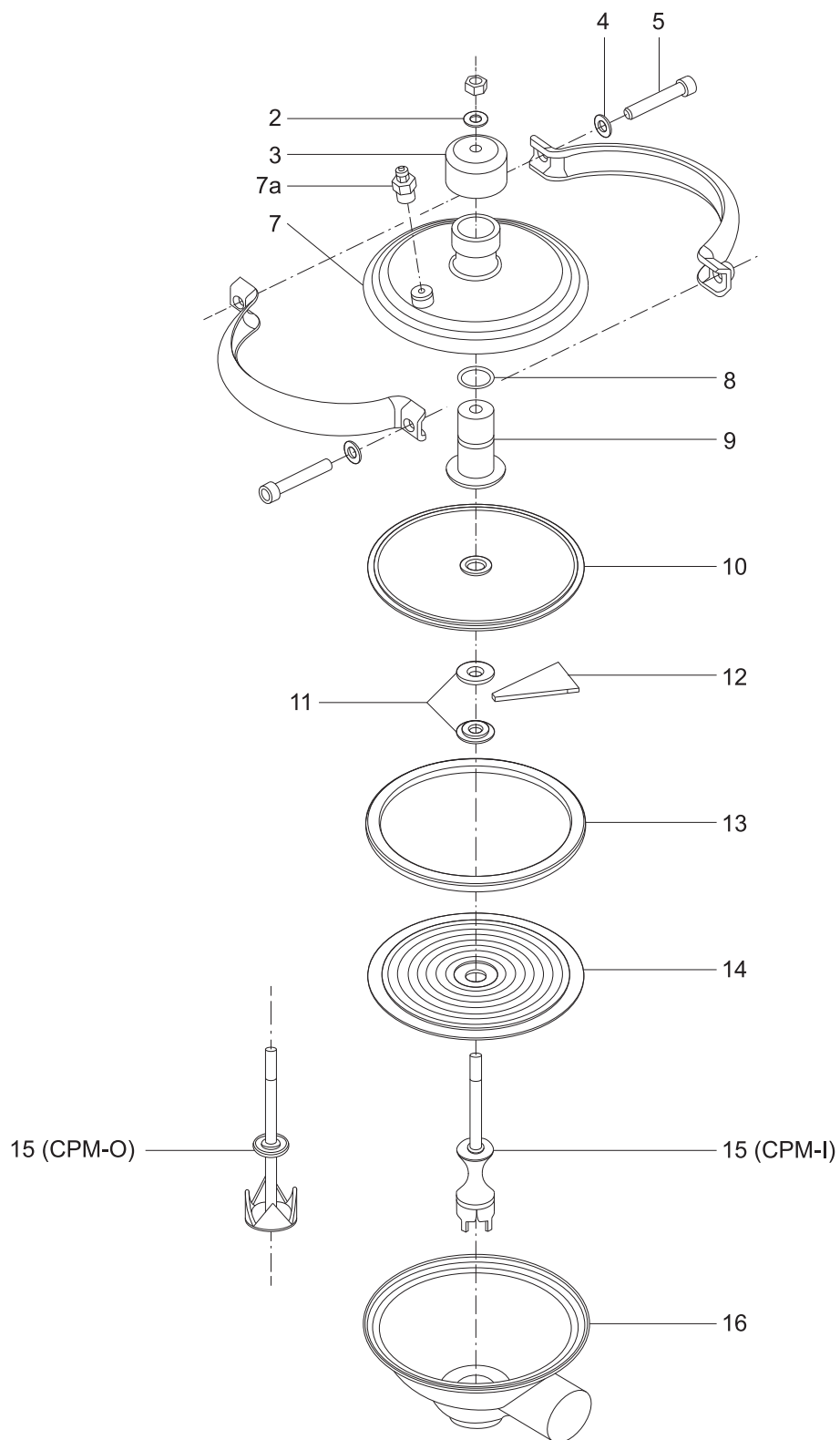


ESE03456-ENUS2 2016-11

Original manual

The information herein is correct at the time of issue but may be subject to change without prior notice

1. Spare Parts List **4**



Spare Parts List

| Pos | Qty | Denomination | CPMI-2-Kv23 | CPMO-2-Kv23 | CPMI-2-Kv2/15 | CPMO-2-Kv2/15 |
|-----|-----|---|--------------|--------------|---------------|---------------|
| 1 | 1 | Nut | 22189115 | 22189115 | 22189115 | 22189115 |
| 2 | 1 | Washer | 9611995850 | 9611995850 | 9611995850 | 9611995850 |
| 3 | 1 | Top | 3135600034 | 3135600034 | 3135600034 | 3135600034 |
| 4 | 2 | Washer | 9611990786 | 9611990786 | 9611990786 | 9611990786 |
| 5 | 2 | Screw | 9611991222 | 9611991222 | 9611991222 | 9611991222 |
| 6 | 2 | Clamp | 9612335201 | 9612335201 | 9612335201 | 9612335201 |
| 7 | 1 | Cover | 3135600671 | 3135600671 | 3135600671 | 3135600671 |
| 7a | 1 | Air Fitting | 9634081652 | 9634081652 | 9634081652 | 9634081652 |
| 8 | □ | 1 O-ring, NBR (standard) | 22340649 | 22340649 | 22340649 | 22340649 |
| | | 1 O-ring, FPM | 9611992253 | 9611992253 | 9611992253 | 9611992253 |
| 9 | 1 | Guide | 3135600722 | 3135600722 | 3135600722 | 3135600722 |
| 10 | □ | 1 Upper diaphragm, NBR (standard) | 3135600142 | 3135600142 | 3135600142 | 3135600142 |
| | | 1 Upper diaphragm, EPDM/PTFE | 3135600144 | 3135600144 | 3135600144 | 3135600144 |
| | | 1 Upper diaphragm, PTFE | 9612305702 | 9612305702 | 9612305702 | 9612305702 |
| 11 | 2 | Inner ring | 3135600631 | 3135600631 | 3135600631 | 3135600631 |
| 12 | 12 | Support sector | 3135600621 | 3135600621 | 3135600621 | 3135600621 |
| 13 | 1 | Outer ring | 9612305801 | 9612305801 | 9612305801 | 9612305801 |
| 14 | □ | 1 Lower diaphragm, EPDM/PTFE (standard) | 9612306601 | 9612306601 | 9612306601 | 9612306601 |
| | | 1 Lower diaphragm, PTFE | 9612305701 | 9612305701 | 9612305701 | 9612305701 |
| 15 | 1 | Valve plug, Kv23 | 9612305901 | 9612306001 | | |
| | | 1 Valve plug, Kv2/15 | | | 9612306101 | 9612306201 |
| | | 1 Valve plug, Kv7 | | | 9612468701 | |
| | | 1 Valve plug, Kv9 | | | | 961246250 |
| | | 1 Valve plugg KV31 | Contact Alfa | Contact Alfa | Contact Alfa | Contact Alfa |
| | | | Laval | Laval | Laval | Laval |
| 16 | 1 | Valve body, ISO | 9612334001 | 9612334101 | 9612334201 | 9612334201 |
| | | 1 Valve body, Weld (GC clamp body) | Contact Alfa | Contact Alfa | Contact Alfa | Contact Alfa |
| | | | Laval | Laval | Laval | Laval |

Parts marked with □ are included in the service kits.

| | | CPMI-2-Kv23 | CPMO-2-Kv23 | CPMI-2-Kv2/15 | CPMO-2-Kv2/15 |
|---|---|-------------|-------------|---------------|---------------|
| □ | Service kit Upper NBR and lower EPDM/PTFE, NBR O-ring . | 9611920218 | 9611920218 | 9611920218 | 9611920218 |
| □ | Service kit Upper and lower PTFE, FPM O-ring | 9611920215 | 9611920215 | 9611920215 | 9611920215 |
| □ | Service kit Upper and lowerEPDM/PTFE, FPM O-ring | 9611920216 | 9611920216 | 9611920216 | 9611920216 |
| □ | Service kit UpperPTFE and lower EPDM/PTFE, FPM O-ring . | 9611920217 | 9611920217 | 9611920217 | 9611920217 |

How to contact Alfa Laval

Contact details for all countries are continually updated on our website.

Please visit www.alfalaval.com to access the information directly.

© Alfa Laval Corporate AB

This document and its contents is owned by Alfa Laval Corporate AB and protected by laws governing intellectual property and thereto related rights. It is the responsibility of the user of this document to comply with all applicable intellectual property laws. Without limiting any rights related to this document, no part of this document may be copied, reproduced or transmitted in any form or by any means (electronic, mechanical, photocopying, recording, or otherwise), or for any purpose, without the expressed permission of Alfa Laval Corporate AB. Alfa Laval Corporate AB will enforce its rights related to this document to the fullest extent of the law, including the seeking of criminal prosecution.