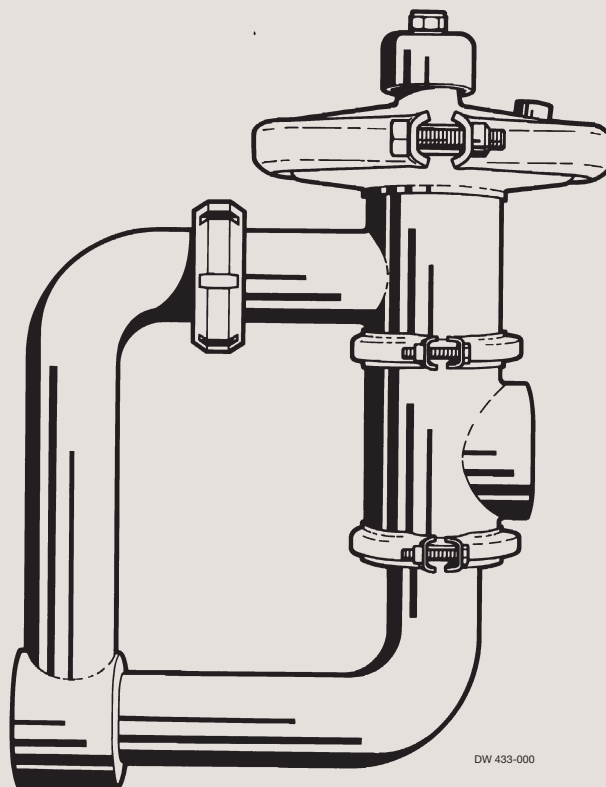




Spare Parts

CPM-I-D60 Constant-Pressure Modulating Inlet Valve

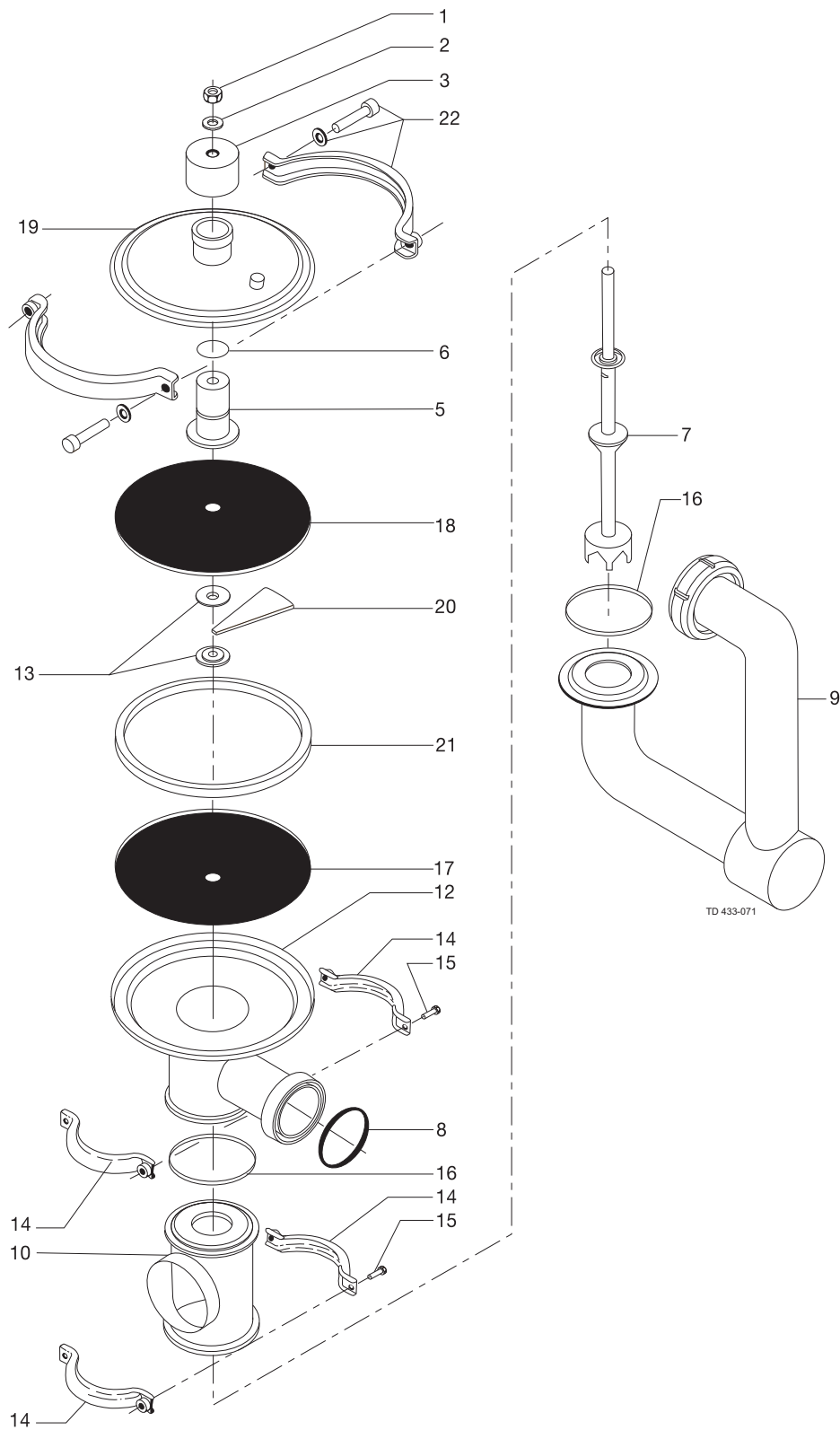


ESE00741-EN4 2016-07

Original manual

The information herein is correct at the time of issue but may be subject to change without prior notice

1. CPM-I-D60 Constant Pressure Valve 4



CPM-I-D60 Constant Pressure Valve

Pos	Qty	Denomination	
1	1	Nut	22189115
2	1	Washer	9611995850
3	1	Top	3135600031
5	1	Guide	3135600721
6	□	O-ring	22340649
7	1	Plug	3135600061
8	□	Seal ring, EPDM (std.)	3131703785
	1	Seal ring, NBR	190604
	1	Seal ring, FPM	3131703782
9	1	Inlet tube	3135600731
10	1	Valve body, lower	3135600181
12	1	Valve body	3135600752
13	2	Inner ring	3135600631
14+15	2	Clamps and screws (Period 9209-)	3132000273
14	4	Clamp half (Period -9209)	3132000221
15	4	Screw (Period -9209)	221093618
16	□	Valve body seal ring, EPDM (std.)	3135301281
	2	Valve body seal ring, NBR	3135301282
17	□	Diaphragm, PTFE covered EPDM (std.) (product side)	3135600144
18	□	Diaphragm, NBR (air side), Blue dot	3135600142
	1	Diaphragm, PTFE covered EPDM	3135600144
19	1	Cover	3135600671
20	12	Support sector	3135600621
21	1	Outer ring	3135600641
22	1	Clamp, set (Period 9310-)	9611920219
	2	Clamp, half (Period 8209-9310)	3135600611
	2	Screw (Period 8209-9310)	22104106

Product wetted parts

□ **Service kit** **9611920119**

Parts marked with □ are included in Service kit.

Recommended spare parts: Service kit.

How to contact Alfa Laval

Contact details for all countries are continually updated on our website.

Please visit www.alfalaval.com to access the information directly.

© Alfa Laval Corporate AB

This document and its contents is owned by Alfa Laval Corporate AB and protected by laws governing intellectual property and thereto related rights. It is the responsibility of the user of this document to comply with all applicable intellectual property laws. Without limiting any rights related to this document, no part of this document may be copied, reproduced or transmitted in any form or by any means (electronic, mechanical, photocopying, recording, or otherwise), or for any purpose, without the expressed permission of Alfa Laval Corporate AB. Alfa Laval Corporate AB will enforce its rights related to this document to the fullest extent of the law, including the seeking of criminal prosecution.