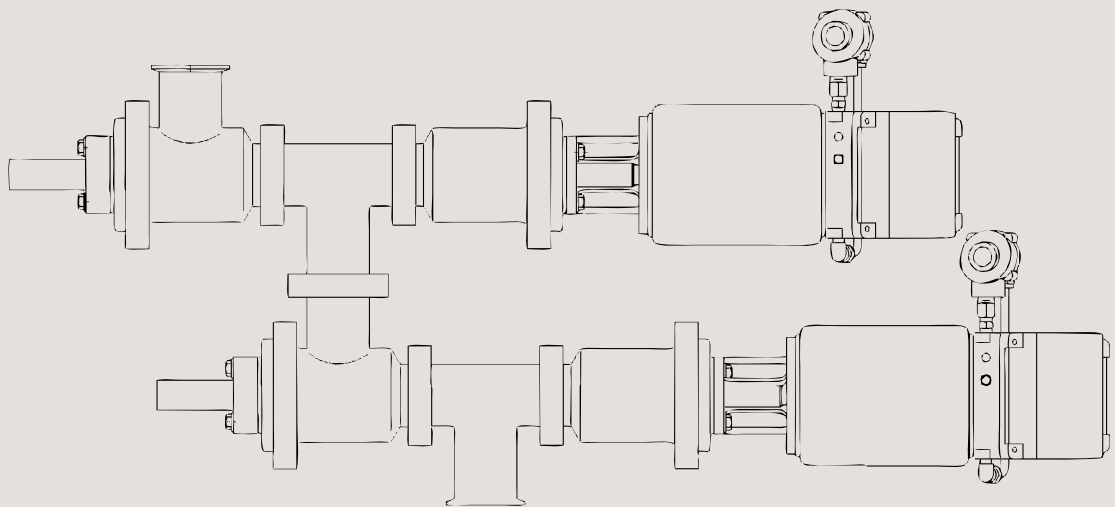




Spare Parts

762 227 MRAL Flow Diversion Valve

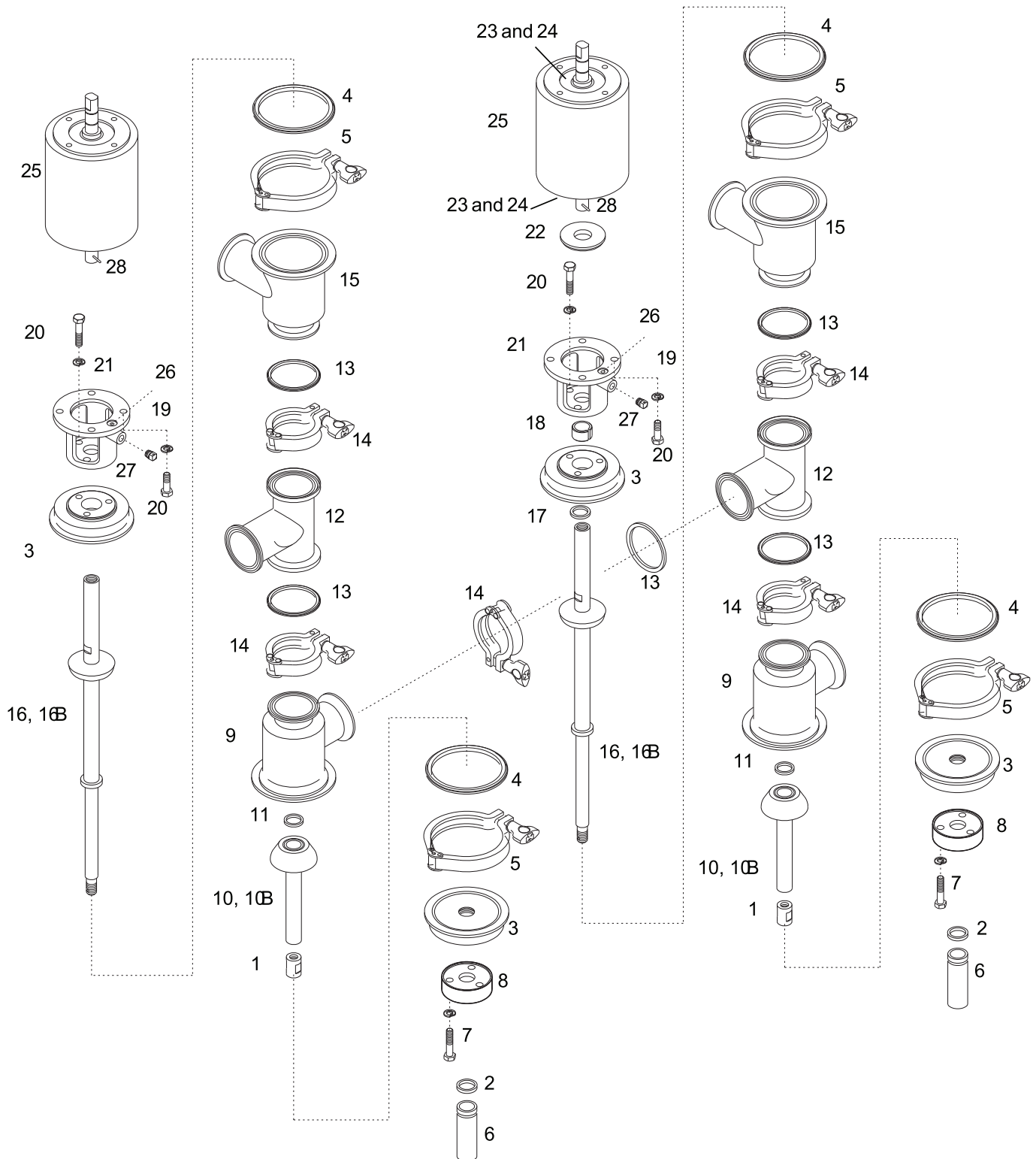


ESE03446-ENUS2 2016-11

Original manual

The information herein is correct at the time of issue but may be subject to change without prior notice

1. Spare Parts List 4



Spare Parts List

Pos	Qty	Denomination	2"	2 1/2"	3"	4"
1	2	Nut	751794	751794	751794	751284
2	2	O-ring BUNA	750330	750330	750330	750304
	2	O-ring EPDM	751916	751916	751916	
	2	O-ring SFY	751887	751887	751887	
3	4	Bonnet	750514	751686	751687	751899
4	2	Body gasket BUNA	750376	750385	750391	755421
	2	Body gasket EPDM	750383	750390	750400	750686
	2	Body gasket SFY	750382	750389	750398	750738
5	1	Clamp	212198	212199	212111	212109
6	2	Stem guard	750182	750182	750182	750182
7	6	Screw	189723	189723	189723	189723
8	2	End cap	751795	751795	751795	751283
9	2	R.H. body	771026	771026	771024	771366
10	2	Lower stem BUNA				772293
	2	Lower Stem, LP, BUNA	9634059328	9634059330	9634059333	
	2	Lower Stem, LP, EPDM			9634059332	
	2	Lower Stem, LP (SFY)	9634059326	9604058919	9634059331	
	2	TR lower stem	771396	771405	771426	772766
	2	TR2 lower stem	9634051660	9634054995	9634055129	9634051446
10B	2	TR stem seat lower	750943	750947	751268	750906
	2	TR2 stem seat lower	9634050833	752100	752102	752104
11	2	O-ring BUNA	300543	300543	300543	751301
	2	O-ring EPDM	300016	300016	300016	752040
	2	O-ring SFY	300061	300061	300061	N/A
12	2	Body	771253	771303	771300	772309
13	5	Gasket BUNA	298453	298454	298455	298456
	5	Gasket EPDM	290043	290048	290036	290018
	5	Gasket SFY	290030	290040	290049	290053
14	5	Clamp	212196	212197	212198	212199
15	2	L.H. body	770981	770985	770973	771370
16	2	Stem BUNA				772308
	2	Stem, LP, BUNA	9634059289	9634059291	9634059294	
	2	Stem, LP, EPDM			9634059293	
	2	Stem, LP, SFY		9634058928	9634059292	
	2	TR stem	771397	771411	771434	772374
	2	TR2 stem	9634051657	9634054992	9634055126	9634051449
16B	2	TR stem seat	750943	750947	751268	750906
	2	TR2 stem seat	9634050833	752100	752102	752104
17	4	O-ring BUNA	755370	755370	755370	755452
	4	O-ring EPDM	750132	750132	750132	750956
	4	O-ring SFY	750077	750077	750077	750957
18	4	Bushing	763361	763361	763361	762507
19	20	Lockwasher	189962	189962	189962	189962
20	14	Screw	189773	189773	189773	189773
21	2	Yoke	750224	750224	750224	750849
22	4	Packing retainer	751659	751659	751659	751659
23	4	Packing	755461	755461	755461	755461
24	4	Seal retainer	751680	751680	751680	751659
25	2	Actuator	750201	750201	750201	750296
	2	Actuator, HP Options	NA	NA	751222	751222
26	2	O-ring	755388	755388	755388	755388
27	2	Vent plug	181256	181256	181256	181256
28	4	Pin	750338	750338	750338	750338

Test Gages: 84-5-A Inspection gage for 762MRAL 2" - 3", 84-5-B Inspection gage for 762MRAL 4".

See "Green Top Spares" for indication top spares.

Parts marked with $\square\blacklozenge$ are included in the service kits.

		2"	2 1/2"	3"	4"
\square	Service Kit Buna	9613990390	9613990393	9613990396	9613990399
\square	Service Kit EPDM	9613990391	9613990394	9613990397	9613990400
\square	Service Kit SFY	9613990392	9613990395	9613990398	9613990401
\blacklozenge	TR Service Kit Buna	9613990590	9613990593	9613990596	9613990599
\blacklozenge	TR Service Kit EPDM	9613990591	9613990594	9613990597	9613990600
\blacklozenge	TR Service Kit SFY	9613990592	9613990595	9613990598	9613990601
\circ	TR2 Service Kit Buna	9613990602	9613990605	9613990608	9613990611
\circ	TR2 Service Kit EPDM	9613990603	9613990606	9613990609	9613990612
\circ	TR2 Service Kit SFY	9613990604	9613990607	9613990610	9613990613

How to contact Alfa Laval

Contact details for all countries are continually updated on our website.

Please visit www.alfalaval.com to access the information directly.

© Alfa Laval Corporate AB

This document and its contents is owned by Alfa Laval Corporate AB and protected by laws governing intellectual property and thereto related rights. It is the responsibility of the user of this document to comply with all applicable intellectual property laws. Without limiting any rights related to this document, no part of this document may be copied, reproduced or transmitted in any form or by any means (electronic, mechanical, photocopying, recording, or otherwise), or for any purpose, without the expressed permission of Alfa Laval Corporate AB. Alfa Laval Corporate AB will enforce its rights related to this document to the fullest extent of the law, including the seeking of criminal prosecution.