

## Floor Drains & Clean Outs

### Floor drains

Designed and manufactured for strength and durability, Koss sanitary floor drains are made to withstand daily lift truck traffic.

- Stainless steel bodies and connections to prevent corrosion
- Thick, heavy-duty stainless steel covers in a variety of sizes and styles
- Tile or ring borders
- Standard bead-blasted finish
- Optional 32 Ra sanitary finish available
- Variety of outlet styles
- Non-slip traction surfaces available
- Custom designs/configurations available (trench drains, sump drains)

Koss floor drains are available in a variety of sizes and styles

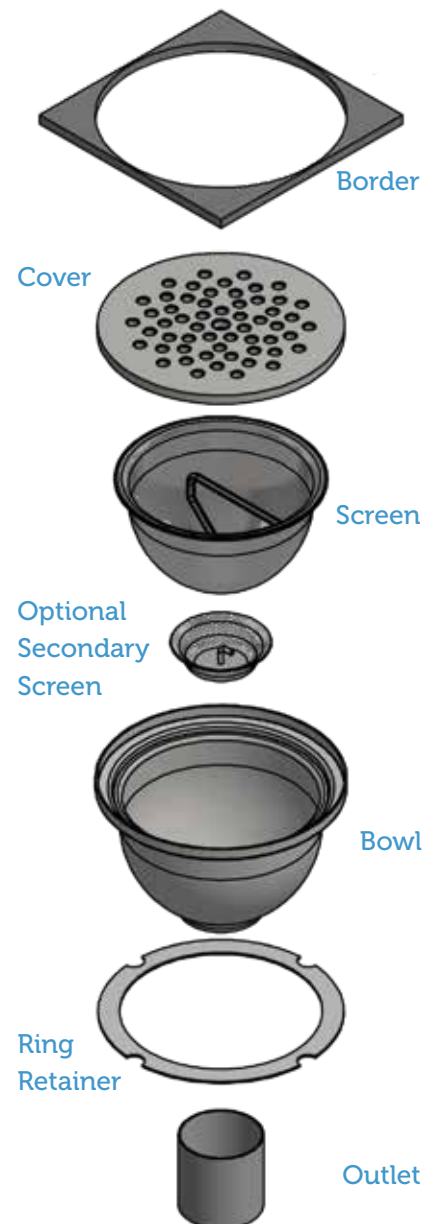


### Four decades of experience

For more than 40 years, Koss Industrial has been designing and manufacturing stainless steel equipment for the cheese, dairy, food, beverage and other sanitary industries. Our attention to detail, fine craftsmanship, and exceptional service have made us a trusted partner our customers can rely on. Whether we're designing and fabricating a custom four-tank CIP system or a 12 inch floor drain, you can rest assured that the result will be top quality and a true value.

**Contact us for a quote!**

1-800-844-6261 or [inside.sales@kossindustrial.com](mailto:inside.sales@kossindustrial.com)



### Assembly

A typical assembly with options available for almost every part.

# Koss Floor Drains & Clean Outs

## Koss Floor Drains Model Configurator

1 - 2 - 3 - 4 - 5 - 6 - 7 - 8 - 9  
KMFD - 0 X 0 - 0 - 00 - 0 - 0 - 0 - 000

### 1 = KOSS PRODUCT TYPE

KMFD Koss Manufactured Floor Drain

### 2 & 3 = BOWL DIAMETER X OUTLET DIAMETER

4 x 3 4 inch bowl, 3 inch outlet  
8 x 4 8 inch bowl, 4 inch outlet  
11.5 x 4 11.5 inch bowl, 4 inch outlet  
11.5 x 6 11.5 inch bowl, 6 inch outlet

### 4 = BORDER TYPE

T Tile  
R Ring  
N None

### 5 = BORDER SIZE (TILE OR RING)

11 11 x 11 inch tile, or 11 inch diameter ring  
12 12 x 12 inch tile, or 12 inch diameter ring  
14 14 x 14 inch tile, or 14 inch diameter ring

### 6 = COVER STYLE

D Holes  
S Scallop  
T Tab with ring  
C Tab with ring + anti-slip coating  
N Notch

### 7 = SECURING APPARATUS

F Full Ring Retainer  
M Sanitary Membrane

### 8 = OUTLET TYPE

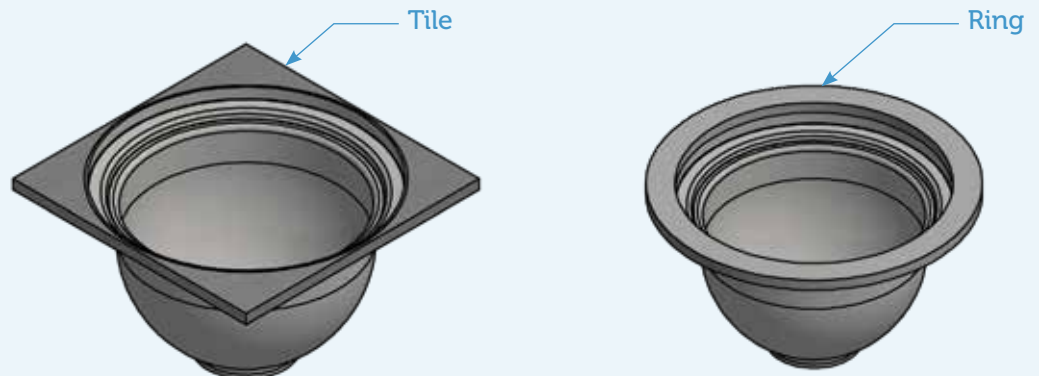
T Tube  
M Male NPT  
F Female NPT  
Z SCH 40 Pipe w/Groove

### 9 = PART NUMBER

XXX To Be Determined

## Border Type

If using a border, you can choose a tile or ring. Its thickness is dependent on the cover type chosen. Borders are welded to the drain bowls.

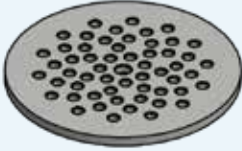




**Don't see exactly what you're looking for?**  
Contact us. Custom equipment is our specialty.

## Variety of Sizes & Styles

### Cover Style



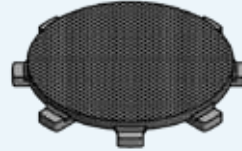
#### Cover with Holes

- 0.5" thick
- For use with 4", 8" and 11.5" bowls



#### Scalloped Cover

- 0.5" thick
- For use with 4", 8" and 11.5" bowls



#### Tabbed Cover

- 1" thick
- For 11.5" bowls
- Anti-slip coating option (shown)



#### Notched Cover

- 1" thick
- For use with 4", 8" and 11.5" bowls

### Securing Apparatus



#### Full Ring Retainer

- For use with 4", 8" and 11.5" bowls



#### Sanitary Membrane

- For use with 8" and 11.5" bowls

### Outlet Types



#### Tube (304)

- For use with 3", 4" and 6" diameter outlets



#### Male NPT (304 & 316)

- For use with 3", 4" and 6" diameter outlets



#### Female NPT (304)

- For use with 3", 4" and 6" diameter outlets



#### SCH 40 w/Groove (304)

- For use with 4" and 6" diameter outlets

We are a leading manufacturer of custom stainless steel processing equipment and a preferred provider of quality products and services to the dairy, food, beverage and other sanitary industries.



## Drain Options and Custom Designs

### Anti-slip coating option

Slip-resistant coatings can be added to our tabbed floor drain covers.

- Thermal spray non-slip coating option - utilized by many food and beverage processing plants to keep workers safe in wet or greasy work environments.
- Laser-welded, slip-resistant traction surface option - designed to provide safe walking surfaces for the most demanding industrial installations in wet or dry conditions.



Thermal Spray Coating



Laser-Welded Surface

### Secondary sediment screen option

Upon request, floor drains can be built with a small, secondary sediment screen placed between the standard screen and the bowl. (See first page.)

### Custom drains

We can build a variety of custom stainless steel drains to your specifications.

- Trench drains
- Sump drains



## Clean Outs

### Clean Outs

Made with the same rugged design principles as our floor drains:

- Stainless steel bodies to prevent corrosion
- Thick, heavy-duty stainless steel covers
- Variety of sizes
- Meet or exceed USDA sanitary standards



Clean Out

Contact us for a quote!

1-800-844-6261 or [inside.sales@kossindustrial.com](mailto:inside.sales@kossindustrial.com)